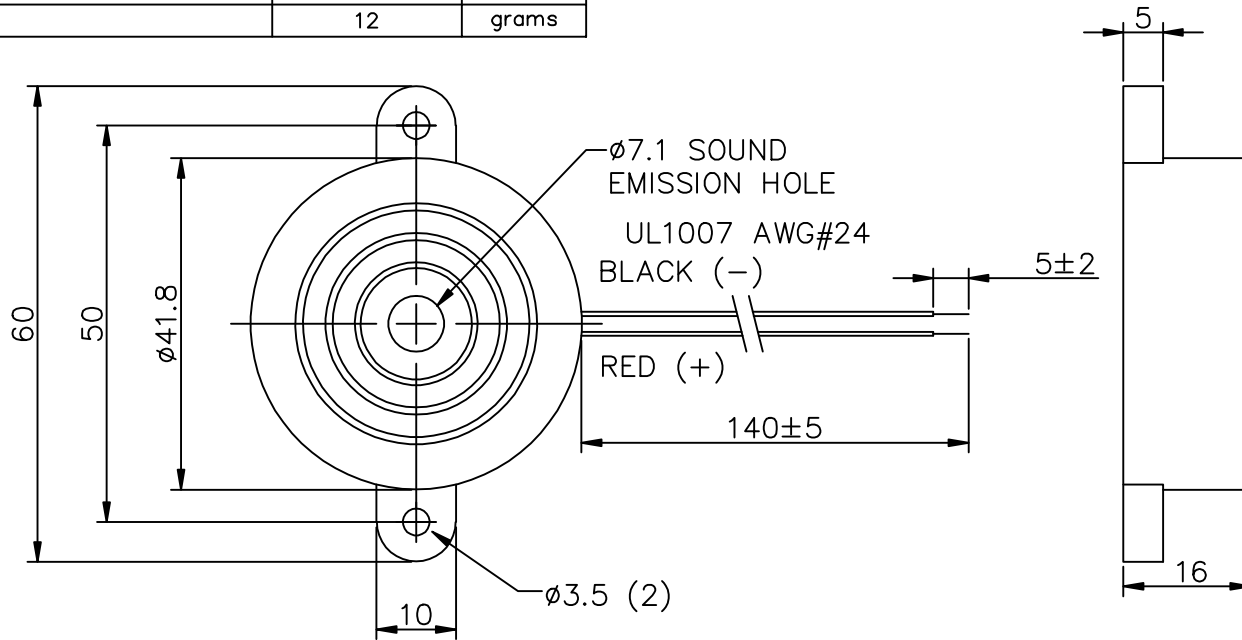


THIS DOCUMENT CONTAINS DATA PROPRIETARY TO PROJECTS UNLIMITED, INC. ANY USE OR REPRODUCTION, IN ANY FORM, WITHOUT PRIOR WRITTEN PERMISSION OF PROJECTS UNLIMITED, INC. IS PROHIBITED.
 ©2005, Projects Unlimited Inc.

SPECIFICATIONS

| PARAMETERS | VALUES | UNITS |
|-------------------------|------------|-------|
| RATED VOLTAGE | 12 | Vdc |
| OPERATING VOLTAGE RANGE | 3 ~ 28 | Vdc |
| RATED CURRENT (MAX) | 7 | mA |
| MINIMUM SPL @ 10 CM | 95 | dBA |
| RESONANT FREQUENCY | 2800±500 | Hz |
| TONE OR PULSE RATE | CONTINUOUS | - |
| OPERATING TEMPERATURE | -20 ~ +60 | °C |
| STORAGE TEMPERATURE | -30 ~ +70 | °C |
| HOUSING MATERIAL | ABS | - |
| TERMINAL MATERIAL | LEAD WIRES | - |
| WEIGHT | 12 | grams |


| REVISIONS | | | |
|-----------|----------------------------|----------|----------|
| LTR | DESCRIPTION | DATE | APPROVED |
| - | RELEASED FROM ENGINEERING | 5/5/06 | |
| A | REVISED COLOR OF LEAD WIRE | 10/11/07 | R.W. |



NOTES:

1. ALL DIMENSIONS ARE IN MILLIMETERS.
2. SPECIFICATION SUBJECT TO CHANGE OR WITHDRAWAL WITHOUT NOTICE.
3. THIS PART IS RoHS 2002/95/EC COMPLIANT.

FILE NAME
AI-4228-TF-LW140-4-R.DWG

| | | | |
|---|------|--|--------------|
| UNLESS OTHERWISE SPECIFIED: DIMENSIONS ARE IN MILLIMETERS, TOLERANCES ARE ±0.5 AND ANGLES ARE ±3°. | |  projects® unlimited Dayton, Ohio | |
| INDICATOR | | DRAWING NO. AI-4228-TF-LW140-4-R | |
| APPROVALS | DATE | SIZE | |
| DRAWN <i>J.D.</i> | 5/06 | A | |
| CHECKED <i>E.P.</i> | 5/06 | | |
| APPROVED <i>B.R.</i> | 5/06 | | |
| DO NOT SCALE DRAWING | | SCALE: N.T.S. | SHEET 1 OF 1 |